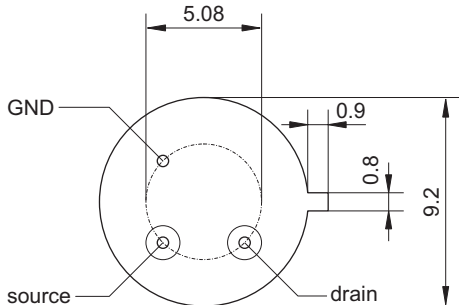
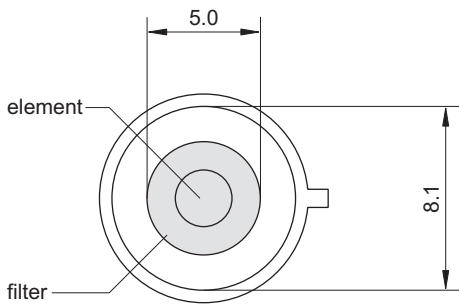
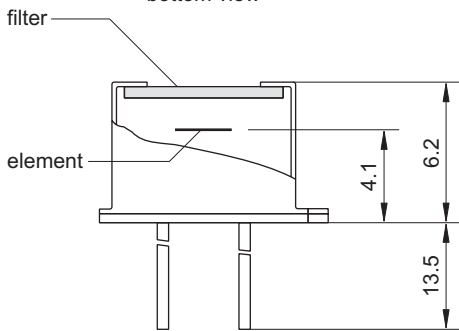


LT D2.5

Pyroelectric Single Element Detector for Measurement Applications

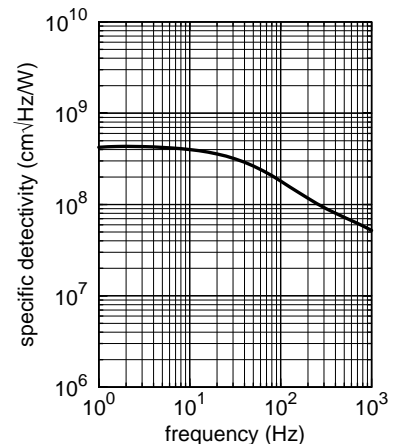
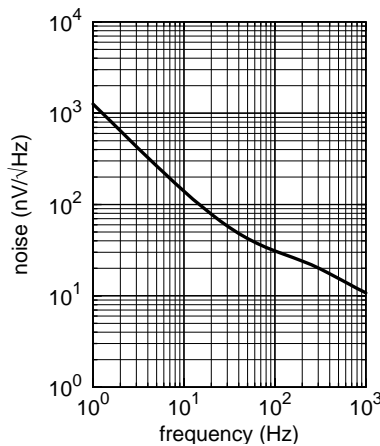
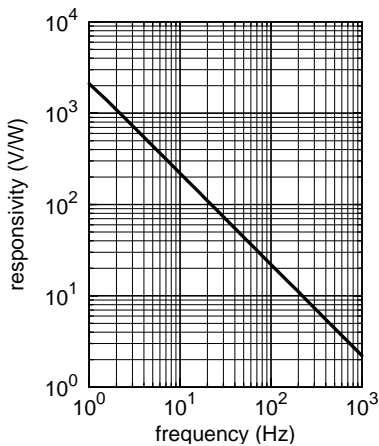
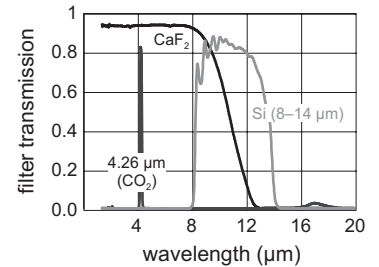
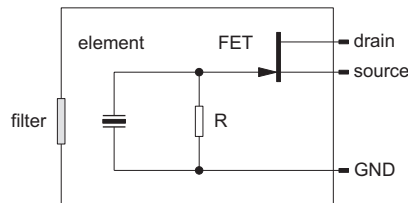


bottom view



| | |
|-------------------------------------|----------------------------|
| element size | ∅ 2.5 mm |
| aperture | 5.0 mm |
| filter ³ | custom-designed |
| responsivity ^{1,2} | >220 V/W |
| noise ¹ | <140 nV/√Hz |
| specific detectivity ^{1,2} | >4·10 ⁸ cm√Hz/W |
| offset voltage | 0.4 to 1.5 V |
| operating voltage | 2 to 18 V |
| housing | TO 39 |
| operating temperature | -20 to 70 °C |
| storage temperature | -20 to 70 °C |

- 1) frequency: 10 Hz, detector temperature: 25 °C
- 2) black body source temperature: 500 K, filter transmission: 100 %
- 3) other filters on request



Further developments may entail modifications of indicated data without notification. Revision 05/2005. 04052005 scitec_ltd25_eng

Scitec Instruments Ltd – Bartles Industrial Estate
 North Street, Redruth, TR15 1HR UK
 phone: +44 (0)1209 314 608 · fax: +44 (0)1209 314 609
 e-mail: sales@scitec.uk.com · www.scitec.uk.com

