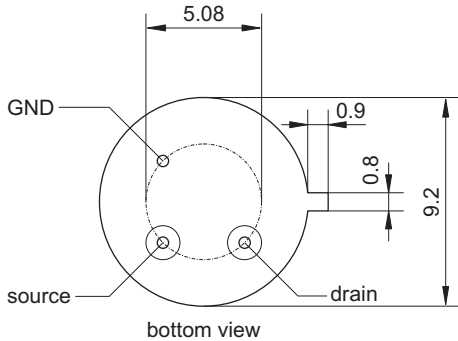
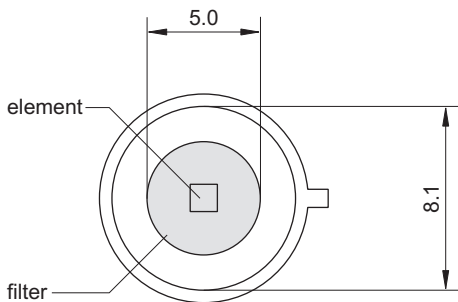
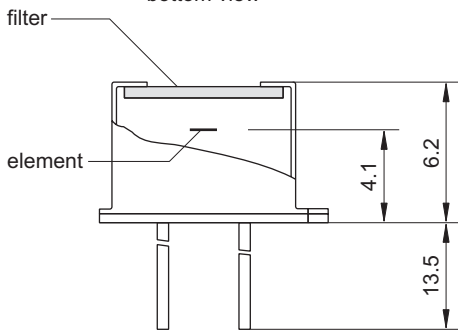


# LTI Q1.2

## Pyroelectric Single Element Detector for Measurement Applications



bottom view

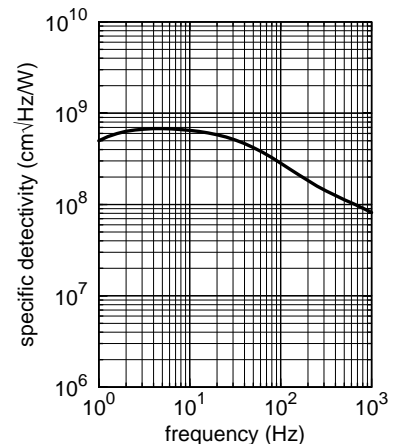
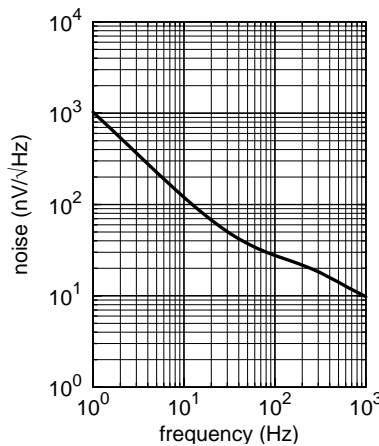
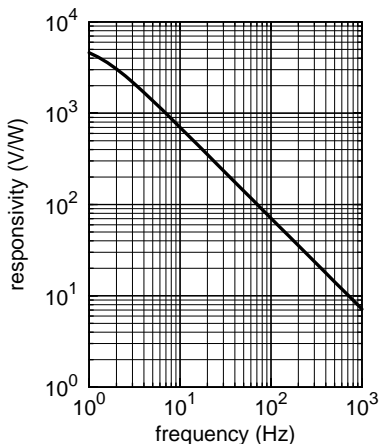
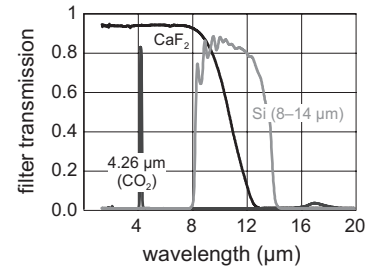
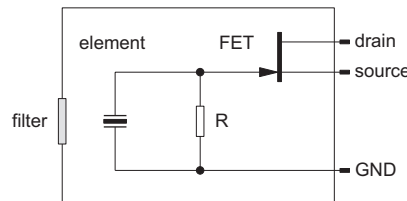


element size	1.2 mm × 1.2 mm
aperture	5.0 mm
filter <sup>3</sup>	custom-designed
responsivity <sup>1,2</sup>	>700 V/W
noise <sup>1</sup>	<120 nV/√Hz
specific detectivity <sup>1,2</sup>	>6.5·10 <sup>8</sup> cm √Hz / W
offset voltage	0.4 to 1.5 V
operating voltage	2 to 18 V
housing	TO 39
operating temperature	-20 to 70 °C
storage temperature	-20 to 70 °C

1) frequency: 10 Hz, detector temperature: 25 °C

2) black body source temperature: 500 K, filter transmission: 100 %

3) other filters on request



Further developments may entail modifications of indicated data without notification. Revision 05/2005. 04052005 scitec\_ltiq12\_eng