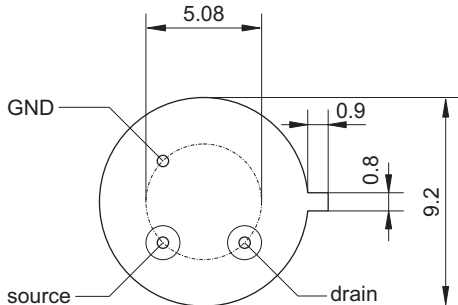
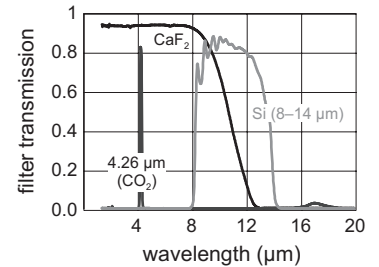
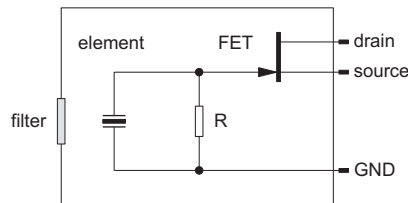
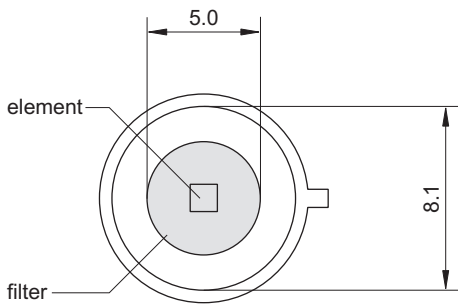
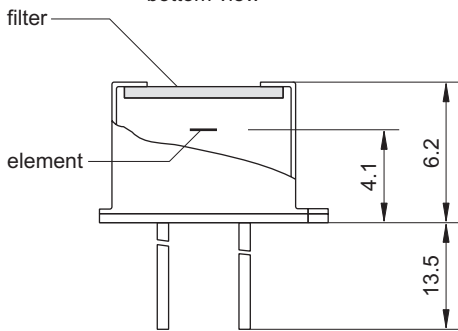


LTS Q1.2

Pyroelectric Single Element Detector for Measurement Applications

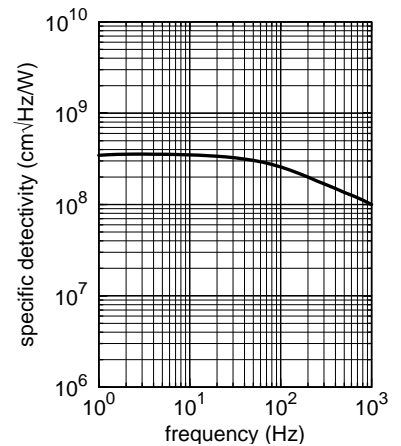
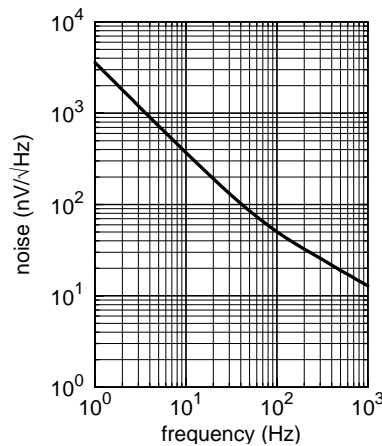
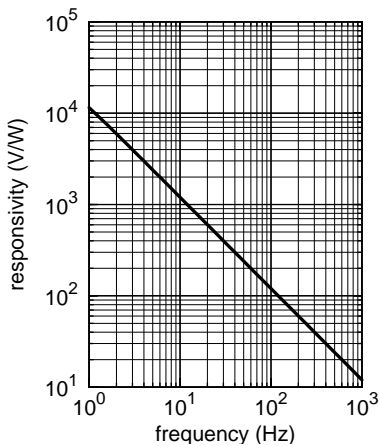


bottom view



element size	1.2 mm × 1.2 mm
aperture	5.0 mm
filter ³	custom-designed
responsivity ^{1,2}	>1200 V/W
noise ¹	<370 nV/√Hz
specific detectivity ^{1,2}	>3.5·10 ⁸ cm √Hz / W
offset voltage	0.4 to 1.5 V
operating voltage	2 to 18 V
housing	TO 39
operating temperature	-20 to 60 °C
storage temperature	-20 to 60 °C

- 1) frequency: 10 Hz, detector temperature: 25 °C
- 2) black body source temperature: 500 K, filter transmission: 100 %
- 3) other filters on request



Further developments may entail modifications of indicated data without notification. Revision 05/2005. 04052005 scitec_ltsq12_eng