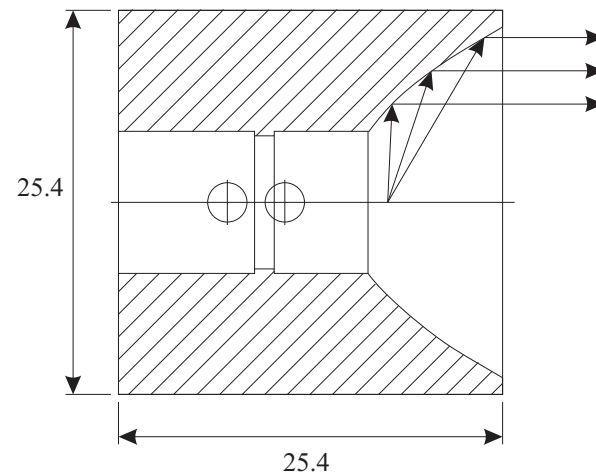


MC-233 Elliptical Reflector
& MC-233V Elliptical Reflector



MC-234 Parabolic Reflector
& MC-234V Parabolic Reflector
Focal Length: 3.0mm

Compatibility Grid	IR-12	IR-12K	IR-21	IR-21V
MC-233	✓	✓	✓	✗
MC-233V	✓	✓	✓	✓
MC-234	✓	✓	✓	✗
MC-234V	✓	✓	✓	✓

The IR-12, IR-12K and IR-21 are mounted into the reflectors from the base side.
The IR-21V is mounted into the reflectors from the reflector side.

Material: Aluminium
Finish: Machined and Polished
All dimensions in mm

ISSUE A : 15/3/02 - CB BATHE
ISSUE B : 28/4/04 - CB BATHE
ISSUE C : 9/2/05 - CB BATHE
ISSUE D : 29/3/06 - CB BATHE

THIS DRAWING IS THE CONFIDENTIAL AND COPYRIGHT PROPERTY OF SCITEC INSTRUMENTS LTD. AND MUST NOT BE DISCLOSED, LOANED OR COPIED FOR MANUFACTURING, TENDERING OR FOR ANY OTHER PURPOSE WITHOUT THEIR WRITTEN PERMISSION

DRAWN BY: C B Bathe

DRAWING No.: MC-23X-01

TITLE: IR Source Reflectors

SHEET 1 OF 1

SCITEC INSTRUMENTS LTD