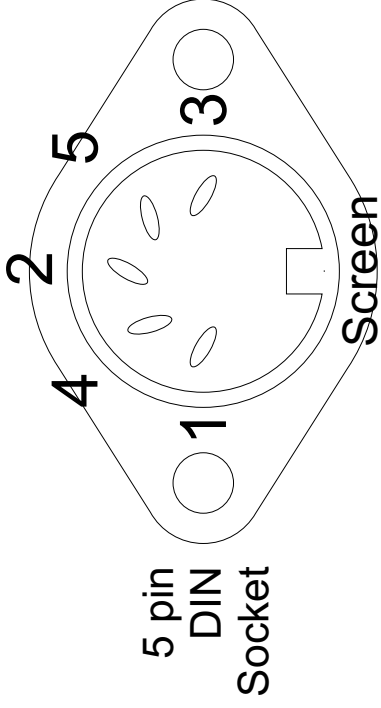
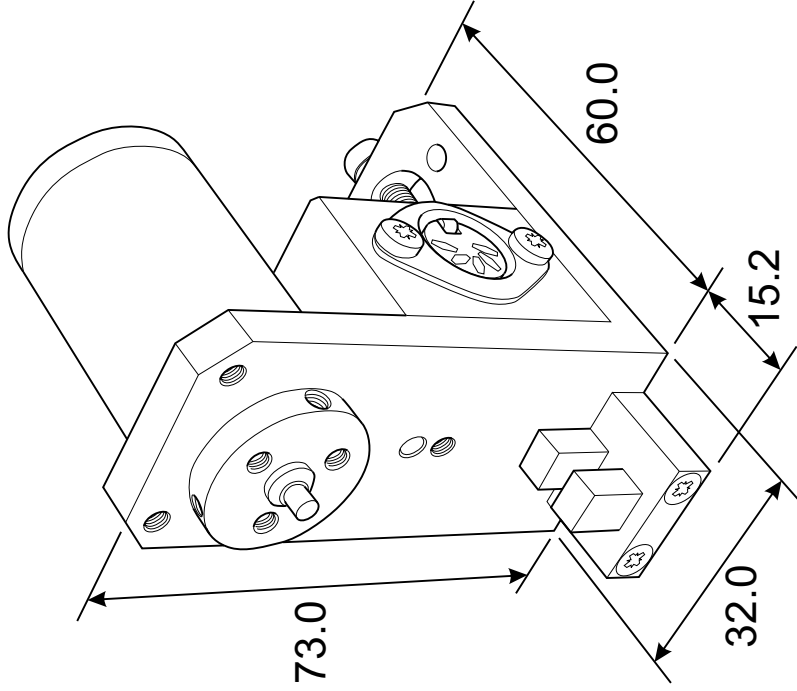




300H Optical Chopper, Chopping Head



- 1) Reference Output (Blue)
- 4) Motor Negative (Black)
- 2) Motor Positive (Red)
- 5) LED Cathode (Yellow)
- 3) +5V (White)
- Screen 0V (Green)

Notes:

Wire colours may be different on old units (pre 1997). Connections are the same.

300H Chopper Head Socket

